

Vehicular Charger Mounting Adapter VCM-5

The **VCM-5** is a Mobile Mounting Bracket designed to match the **CD-58** Desktop Charger. The **VCM-5** includes the **E-DC-32** Cigarette Lighter Adapter.

! Please carefully select the mounting location to prevent potential passenger injuries.

PACKING LIST

- Bracket "**VCM-5**" for installing of the **CD-58** Desktop Charger: 1 pc
- Bracket "**B**" for mounting in the vehicle: 1 pc .
- Cloth Band Assy for fixing the transceiver (it has been included the Adjusters): 1 pc
- Screw Kit for mounting the Bracket "**VCM-5**" to the Bracket "**B**" (Screws, Toothed Washers, & Plain Washers): 2 pcs for each
- Hexagon Wrench: 1 pc
- Cigarette Lighter Adapter "**E-DC-32**": 1 pc

INSTALLATION

Before installing the **VCM-5**, please confirm all parts from the Packing List are present.

1. Using the Bracket "**B**" as a template, lay out the positions for the mounting holes for the bracket, being careful to provide sufficient clearance for the **VCM-5**. (Because each mounting situation is different, mounting hardware is not supplied with this kit); drill holes compatible with the mounting hardware you have selected. For best results, Vertex Standard recommends hardware of #8 (M4) screw.
2. Secure the Bracket "**B**" with your selected four screws and washers (Figure 1).
3. Install the Cloth Band and Adjuster "**B**" (Flat Shape) to the Bracket "**VCM-5**" (Figure 2).
4. Insert the front section of the **CD-58** Desktop Charger into the Bracket "**VCM-5**" until it locks in place with a "click" (Figure 3). Confirm that the small protrusions of the Bracket "**VCM-5**" is fixed correctly into the holes which are located on the bottom of the **CD-58**. The **CD-58** must not incline and/or rotate (Figure 4).
5. Mount the Bracket "**VCM-5**" to the Bracket "**B**" with the supplied Screws and Washers using the supplied Hexagon Wrench (Figure 5).
 - The angle of the Charger Stand may be adjusted to a convenient and accessible position.
 - You may secure the Charger Stand to the vehicle directly with the Bracket "**B**" (Figure 6 of the back page).

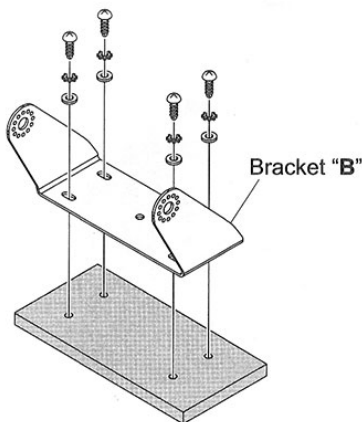


FIGURE 1

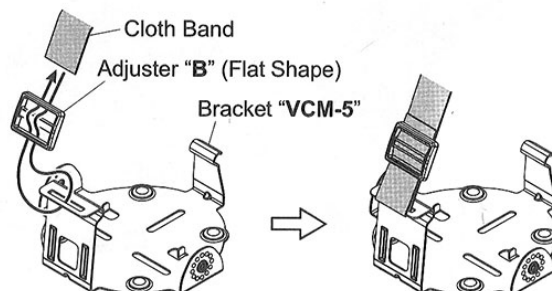


FIGURE 2

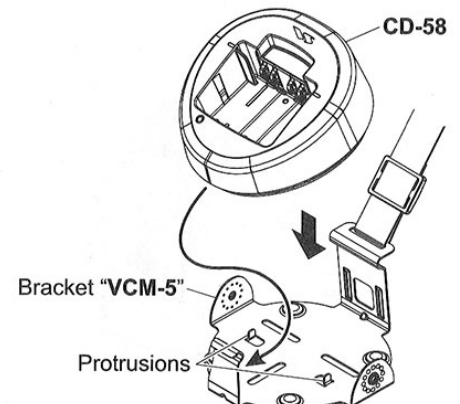


FIGURE 3

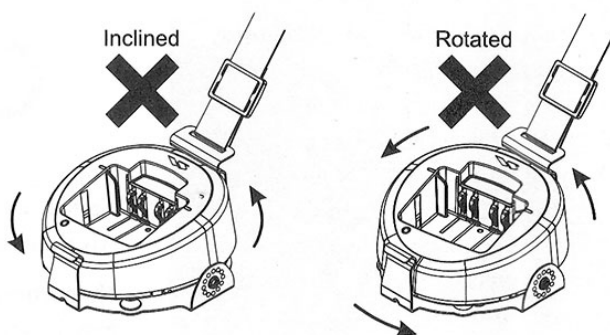


FIGURE 4

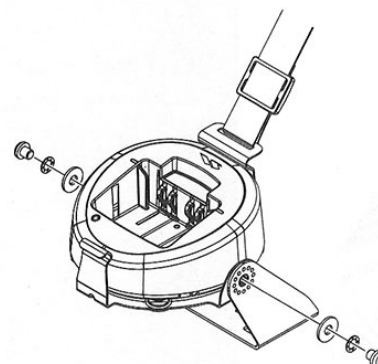


FIGURE 5

6. Insert the DC plug from the **E-DC-32** Cigarette Lighter Adapter into the DC jack on the rear panel of the **CD-58** Desktop Charger. Route and secure the Cigarette Lighter Adapter cable in the vehicle, then plug the **E-DC-32** Cigarette Lighter Adapter into the vehicle's cigarette lighter jack. Insert the transceiver into the **CD-58** (Figure 7).
 7. Referring to Figure 8, Install the Adjuster "A" to the Cloth Band (A), then through the ring section of the Cloth Band to the **CH** knob of the transceiver (B). Hook the Adjuster "A" to the hook of the Bracket "VCM-5", then adjust the Cloth Band so that the ring section of the Cloth Band goes to the center of the transceiver (C). Fix the transceiver securely by tightening the end of the Cloth Band (with an Adjuster "A") while pulling the Cloth Band downward, so the transceiver does not become loose from vibration (D).
- Note:* Refrain from securing the Cloth Band too tightly, as it could potentially damage the transceiver.
8. To unfasten the Cloth Band, bring your thumb to the top of the Adjuster "A", and then move the Adjuster "A" in the direction indicated by the arrowhead. Please refer to Figure 9.

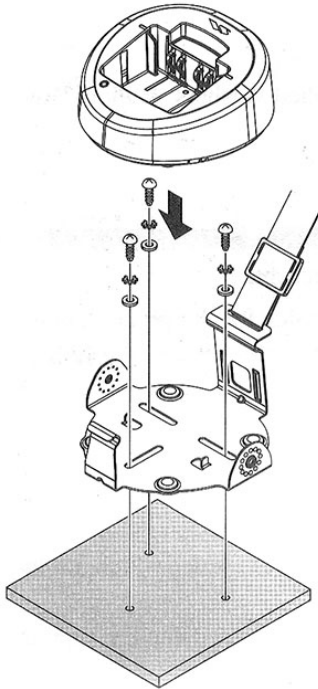


FIGURE 6

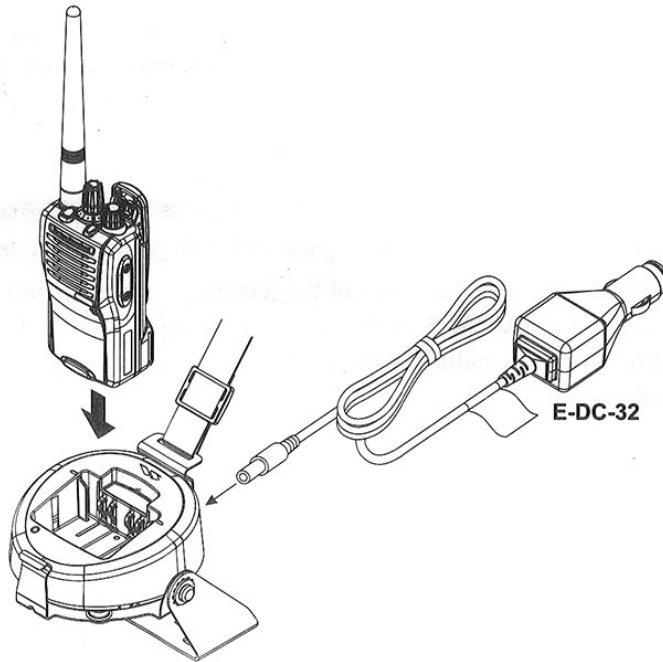


FIGURE 7

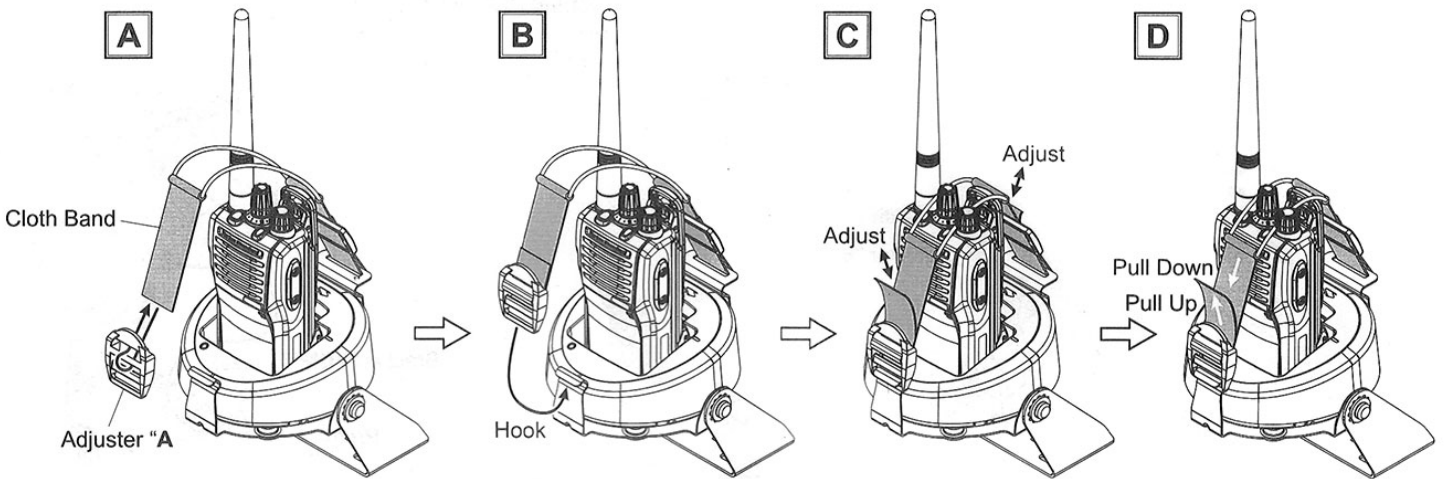


FIGURE 8

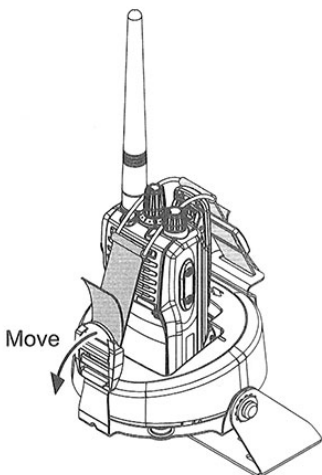


FIGURE 9

Safety Notice !

- When using a mobile antenna, always disconnect the antenna before attempting to charge the transceiver. It may not be charged properly when the mobile antenna is attached to the transceiver.
- The supplied **E-DC-32** Cigarette Lighter Adapter is designed for charging only when the radio is not in operation. The transceiver should be powered to the "off" position when charging. *Always turn the transceiver off when charging the battery.*



Copyright 2014
Vertex Standard LMR, Inc.
All rights reserved.

No portion of this manual
may be reproduced
without the permission of
Vertex Standard LMR, Inc.

