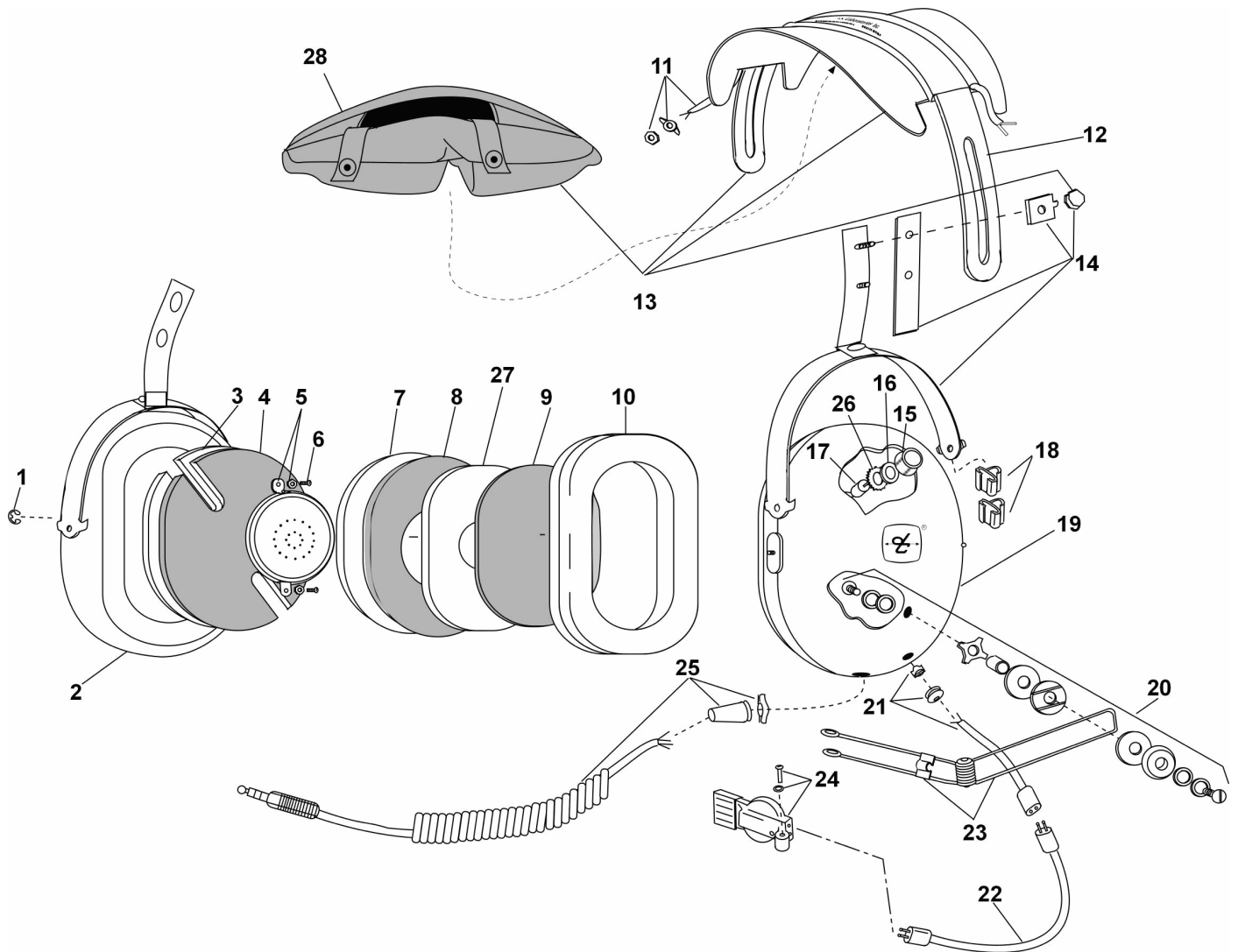




**PARTS LIST**  
**MODEL H10-76**



No.	Description	Part No.
1	Retaining Ring (10/pk)	00009M-03
2	Right Dome	11696P-12
3	Filter, Yellow (1 each)	26475P-10
4	Filter, Charcoal (1 each)	26475P-11
5	Earphone Assembly	10376G-30
6	Screw (10/pk)	13180P-06
7	Filter, Yellow (1 each)	25629P-09
8	Filter, Charcoal (1 each)	25629P-10
9	Filter (1 each)	14096P-09
10	Undercut Gel Earseal (pair)	40863G-02
11	Overhead Cord Kit	22607G-01
12	Headband Spring	15093P-01
13	Headband/Headpad Kit	40688G-36
14	Stirrup & Clamp Kit	22378G-08

No.	Description	Part No.
15	Volume Control Knob	09347P-22
16	Washer, Neoprene (10/pk)	40688G-21
17	Volume Control	09349P-28
18	Clip, Cord (4/pk)	15125P-02
19	Left Dome	11696P-28
20	Boom Guide Kit	12840G-11
21	Mic Jack Cord Kit	18825G-12
22	Microphone Cord Assembly	10516G-14
23	Microphone Boom Assy	12765G-04
24	Microphone M-87/AIC	09168P-18
25	Comm Cord Kit	18028G-26
26	Lock Washer (10/pk)	40688G-09
27	Filter, Yellow (1 each)	14096P-18
28	Headpad Restraint, Foam	40867G-01

ELECTRICAL SCHEMATIC  
MODEL H10-76

